



ALR.1.150/..

according to DIN 18195



- ▶ high load-bearing capacity
- ▶ according to DIN 18195
- ▶ with loose/fixed flange

FEATURES

resistant to heavy loads, durable leak-proof, noncorrosive, high flexibility (variable lengths, heights and widths), mesh size of the steel grating 30X30 mm (30x10 mm in request), grate adjustment possible on any spot

APPLICATIONS

outdoor, multi-storey and underground park decks, all industrial applications, shopping centres, railway stations, airports, exhibition halls, areas with increased hygiene standards (e.g. kitchens, hospitals etc.)

MATERIAL

high-grade steel V2A, high-grade steel V4A (on request),

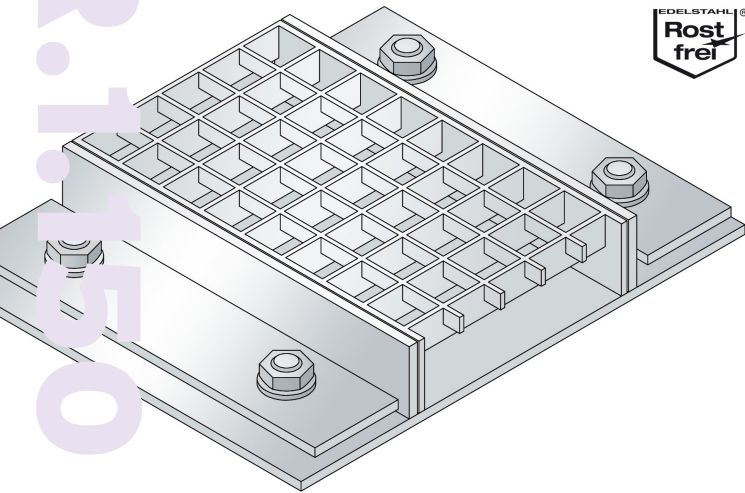
COVERING TYPES

asphalt, screed

TRAFFICABILITY

passenger car, truck (on request)

ALR.1.150



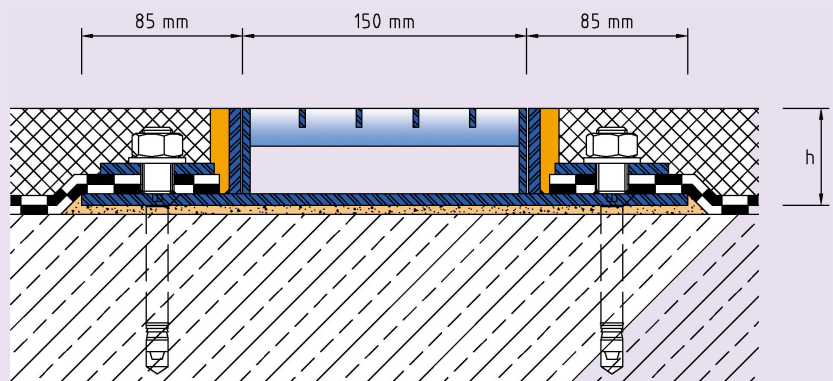
Technical data	Designs												
Material/sheet thickness: 6 mm Supply length: 3 mtr Steel grating width: 150 mm	<table border="1"> <thead> <tr> <th>Article No.</th> <th>Height (h)</th> </tr> </thead> <tbody> <tr> <td>ALR.1.150/51</td> <td>51 mm</td> </tr> <tr> <td>ALR.1.150/66</td> <td>66 mm</td> </tr> <tr> <td>ALR.1.150/86</td> <td>86 mm</td> </tr> <tr> <td>ALR.1.150/106</td> <td>106 mm</td> </tr> <tr> <td colspan="2">Special heights on request.</td> </tr> </tbody> </table>	Article No.	Height (h)	ALR.1.150/51	51 mm	ALR.1.150/66	66 mm	ALR.1.150/86	86 mm	ALR.1.150/106	106 mm	Special heights on request.	
Article No.	Height (h)												
ALR.1.150/51	51 mm												
ALR.1.150/66	66 mm												
ALR.1.150/86	86 mm												
ALR.1.150/106	106 mm												
Special heights on request.													

Notes

Our engineers and technicians can be of assistance during installation on request.

These gutters are supplied complete with all accessory and fitting parts.

A leak-proof welding of several gutter-parts happens in the course of installing at the building site.



Subject to technical change without notice.